



BMY48U18FCC Submittal Sheet



Models

BMY48UC	48000 BTU 18.9 SEER2 208/230V Minisplit Heat Pump Condenser
BM48MFCC	48000 BTU 18.9 SEER2 208/230V Minisplit Heat Pump Air Handler
BMY48U18FCC	48000 BTU 18.9 SEER2 208/230V Minisplit Heat Pump System
BMY48U18FCC KIT15	48000 BTU 18.9 SEER2 208/230V Minisplit Heat Pump W/ 15 Ft Installation Kit
BMY48U18FCC KIT25	48000 BTU 18.9 SEER2 208/230V Minisplit Heat Pump W/ 25 Ft Installation Kit

SUBMITTAL DATA SHEET



Ceiling&Floor Heat Pump System

Location: _____
 Engineer: _____
 Submitted to: _____
 Submitted by: _____
 Reference: _____

Approval: _____
 Date: _____
 Construction: _____
 Unit #: _____
 Drawing #: _____

Set Model
 15 Ft Kit Model BMY48U18FCC
 25 Ft Kit Model BMY48U18FCC KIT15
 BMY48U18FCC KIT25

Certified



SYSTEM PERFORMANCE DATA

Power supply			
Normal Operational Voltage	(V, Ph, Hz)	208/230V, 1Ph,	60Hz
Voltage Range	(V)		187-253
Electrical			
Minimum circuit ampacity(Outdoor)	(A)		39.0
Max.fuse(Outdoor)	(A)		50.0
Connection wiring		14AWG*2	Stranded, shielded
Cooling			
Capacity	(Btu/h)	48000(15861-48000)	
Power Input	(W)	5170(650-5170)	
Current	(A)	23.6(4.84-23.6)	
SEER2	(Btu/W)	18.9	
EER2	(Btu/W)	9.3	
Heating			
Capacity	(Btu/h)	50000(12159-50000)	
Power Input	(W)	5861(677-5861)	
Current	(A)	25.5(5.01-25.5)	
HSPF2-4	(Btu/W)	10.0	
COP	W/W		2.50
Heat at 17F(AHRI Rating)	(Btu/h)		29000
Heat at 5F(AHRI Rating)	(Btu/h)		34000
COP at 5F(AHRI Rating)	W/W		1.85

REFRIGERANT PIPE DATA

Throttle type	Indoor unit		N/A
	Outdoor unit	EXV+Throttle valve	
Design pressure	(PSIG)		550/340
Refrigerant Type			R410A
Refrigerant charge	oz		159.00
Refrigerant precharge	(ft)		25.0
Additional charge for each ft	(oz/ft)		0.32
Liquid side/ Gas side(indoor)	(inch)	3/8"/5/8"	
Liquid side/ Gas side(outdoor)	(inch)	3/8"/5/8"	
Max. pipe length	(ft)		213.3
Max. difference in level	(ft)		98.4
Connection method			Flared
Indoor(cooling)	(Deg. °F)		62~90
Indoor(heating)	(Deg. °F)		32~86
Outdoor(cooling)	(Deg. °F)		5~122
Outdoor(heating)	(Deg. °F)		5~75

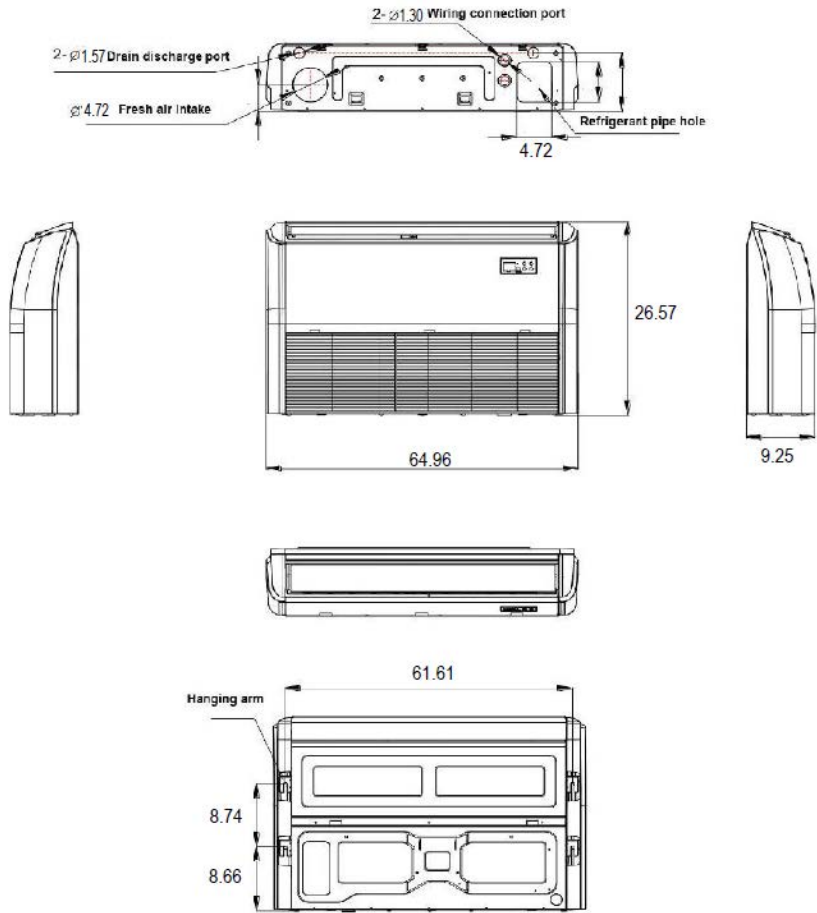
INDOOR UNIT DATA

Indoor fan motor			
Model			ZKFN-90-8-1
Qty			1
Input	(W)		96.0
Output	(W)		90.0
RLA	(A)		1.80
Air flow & Noise level			
Indoor air flow (Hi/Med/Lo) (No duct)	(CFM)	//1352.94/1117.65/1000.00	
Indoor noise level (Hi/Med/Lo)	[dB(A)]		55.0/49.5/44.5
Dehumidification	(L/H)		6.06
Indoor unit			
Dimension (WxDxH)	(inch)		64.96x26.57x9.25
Packing(WxDxH)	(inch)		67.91x29.72x12.52
Net/Gross weight	(lbs.)		87.74/102.29

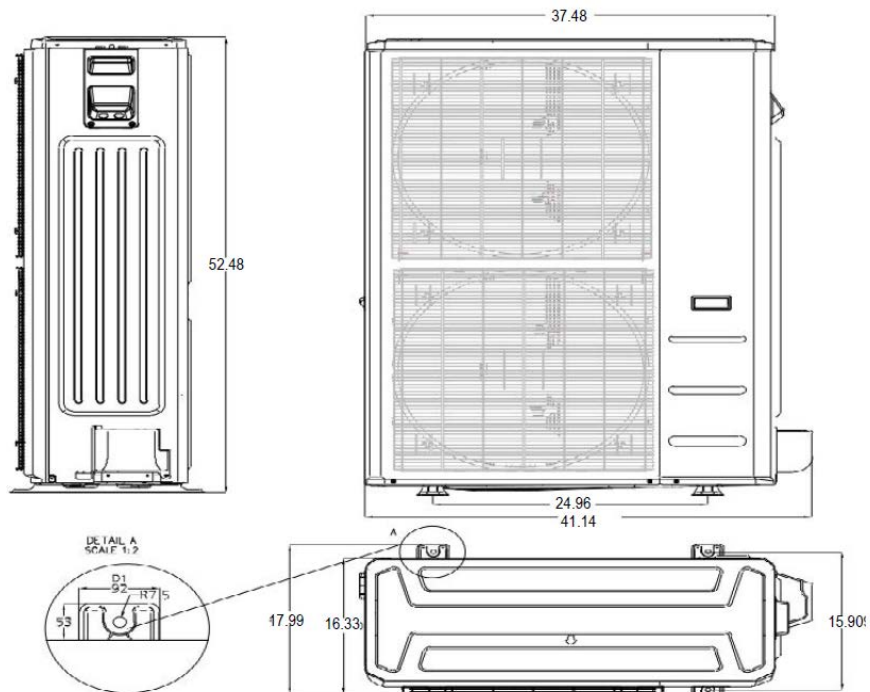
OUTDOOR UNIT DATA

Compressor			
Type			ROTARY
Model			KTQ420D1UMU
Brand			GMCC
Capacity	(Btu/h)		46744
Input	(W)		3700
Rated current (RLA)	(A)		28.0
Refrigerant oil/oil charge	(ml)		VG74/1400
Outdoor fan motor			
Model			ZKFN-85-8-22-5
Qty			2
Input	(W)		126.00
Output	(W)		85.00
RLA	(A)		1.20
Air flow & Noise level			
Outdoor air flow (Max.)	(CFM)		4500.0
Outdoor noise level	[dB(A)]		63.5
Outdoor unit			
Dimension (WxDxH)	(inch)		37.48x16.34x52.48
Packing (WxDxH)	(inch)		43.11x19.49x58.27
Net/ Gross weight	(lbs.)		219.14/249.12

Indoor unit dimension (Inches)



Outdoor unit dimension (Inches)



COOLING PERFORMANCE DATA

Model	Cooling			5F	17F	25F	35F	47F	55F	65F	75F	80F	85F	95F	105F	110F	115F	122F
	Indoor Conditions																	
	DB	WB																
BM48MFCC BMY48UC	65F	54F	TC	41153	46900	46419	48224	49555	50481	50585	50943	50859	46935	42147	33959	28480	22219	17608
			SC	29047	33156	33895	35683	37779	38166	39735	39501	39294	37129	34308	28472	25160	20758	17578
			Input	2551	3145	3172	3324	3750	3989	4233	4557	4745	5205	5521	4412	3713	3141	2798
	70F	59F	TC	43319	48956	49225	50444	52054	53590	53247	53176	53423	49458	44459	35974	30011	23537	18457
			SC	30424	34427	35779	37091	39443	40334	41598	40970	41053	38922	36013	30005	26346	21860	18354
			Input	2562	3089	3168	3279	3710	4065	4264	4486	4785	5249	5504	4477	3736	3175	2775
	75F	63F	TC	45504	51751	51980	53155	54851	56056	56346	55975	56413	51734	46311	38229	31458	24854	19490
			SC	31770	36197	37590	38894	41356	41964	43765	42852	43097	40499	37335	31681	27468	22971	19304
			Input	2530	3112	3165	3279	3702	3997	4277	4452	4815	5194	5435	4539	3748	3188	2757
	80F	67F	TC	48000	54076	55063	56012	58043	58453	58878	59296	59697	54803	49059	40626	33149	26384	20473
			SC	33360	37583	39590	40776	43532	43489	45513	45124	45369	42637	39345	33476	28806	24247	20207
			Input	2522	3083	3168	3259	3746	3972	4233	4514	4851	5179	5441	4573	3784	3198	2722

HEATING PERFORMANCE DATA

Model	Heating		5F	10F	17F	20F	25F	32F	35F	40F	47F	50F	57F
	Indoor Conditions												
	DB												
BM48MFCC BMY48UC	60F	TC	31465	34952	38014	40179	41602	43389	44917	51634	58319	59662	60762
		Input	4025	4250	4417	4517	4572	4615	4686	5162	5395	5227	5126
	65F	TC	30638	34067	36907	38896	40469	41962	43609	50374	56347	57756	59050
		Input	4149	4359	4525	4619	4679	4738	4816	5283	5534	5378	5246
	70F	TC	29631	32914	36007	37653	39252	40898	42339	49050	54653	56074	57386
		Input	4252	4493	4656	4732	4804	4874	4925	5402	5653	5493	5370
	75F	TC	28445	31762	34675	36335	37682	39303	40434	46843	52521	53943	54861
		Input	4383	4610	4814	4874	4934	5006	5092	5559	5799	5652	5515

LEGEND

- DB --- Dry Bulb (Air Temperature without considering humidity)
- WB --- Wet Bulb (Air Temperature accounting for humidity)
- TC --- Total Net Capacity 1000 Btu/hour (Actual Capacity + Dehumidifying Capacity)
- SC --- Sensible Capacity 1000 Btu/hour (Actual Capacity of System)
- Input --- Total Power (W)

Certificate of Product Ratings

AHRI Certified Reference Number : 207571385 Date : 08-29-2022 Model Status : Active

AHRI Type : HRCU-A-CB-O (Mini-Split Heat Pump, with Remote Outdoor Unit Air-Source, Free Delivery)

Outdoor Unit Brand Name : BLUERIDGE

Outdoor Unit Model Number : BMY48UC

Indoor Type : Mini-Splits (Non-Ducted)

Indoor Model Number(s) : BM48MFCC

Rated as follows in accordance with the latest edition of AHRI 210/240 - 2017 with Addendum 1, Performance Rating of Unitary Air-Conditioning & Air-Source Heat Pump Equipment and subject to rating accuracy by AHRI-sponsored, independent, third party testing:

Cooling Capacity (A2) - Single or High Stage (95F), btuh : 48000

SEER : 18.00

EER (A2) - Single or High Stage (95F) : 9.30

Heating Capacity (H12) - Single or High Stage (47F) : 50000

HSPF (Region IV) : 11.00

Rated as follows in accordance with the latest edition of AHRI 210/240 – 2023, Performance Rating of Unitary Air-Conditioning & Air-Source Heat Pump Equipment and subject to rating accuracy by AHRI-sponsored, independent, third party testing:

Cooling Capacity (A_{Full}) – Single or High Stage (95F), btuh : 48000

SEER2 : 18.90

EER2 (A_{Full}) – Single or High Stage (95F) : 9.30

Heating Capacity (H1_{Full}) – Single or High Stage (47F), btuh : 50000

HSPF2 (Region IV) : 10.00

Sold in? : USA, Canada

AHRI CERTIFIED[®]
www.ahridirectory.org

†'Active' Model Status are those that an AHRI Certification Program Participant is currently producing AND selling or offering for sale; OR new models that are being marketed but are not yet being produced. "Production Stopped" Model Status are those that an AHRI Certification Program Participant is no longer producing BUT is still selling or offering for sale.

Ratings that are accompanied by WAS indicate an involuntary re-rate. The new published rating is shown along with the previous (i.e. WAS) rating.

The Department of Energy has published updated energy efficiency metrics for central air conditioners and heat pumps. This publication reflects both the 1987 metric (SEER) and the 2023 metric (SEER2). Efficiency requirements are published at 10 C.F.R. 430.32(c). Please refer to www.AHRInet.org for more information about updated energy efficiency metrics.

DISCLAIMER

AHRI does not endorse the product(s) listed on this Certificate and makes no representations, warranties or guarantees as to, and assumes no responsibility for, the product(s) listed on this Certificate. AHRI expressly disclaims all liability for damages of any kind arising out of the use or performance of the product(s), or the unauthorized alteration of data listed on this Certificate. Certified ratings are valid only for models and configurations listed in the directory at www.ahridirectory.org.

TERMS AND CONDITIONS

This Certificate and its contents are proprietary products of AHRI. This Certificate shall only be used for individual, personal and confidential reference purposes. The contents of this Certificate may not, in whole or in part, be reproduced; copied; disseminated; entered into a computer database; or otherwise utilized, in any form or manner or by any means, except for the user's individual, personal and confidential reference.

CERTIFICATE VERIFICATION

The information for the model cited on this certificate can be verified at www.ahridirectory.org, click on "Verify Certificate" link and enter the AHRI Certified Reference Number and the date on which the certificate was issued, which is listed above, and the Certificate No., which is listed at bottom right.

©2022 Air-Conditioning, Heating, and Refrigeration Institute



we make life better™

CERTIFICATE NO.:

133062587407122751



ENERGY STAR CERTIFIED

Heat Pumps (Mini-Split)

: BMY48UC

Specifications	
ENERGY STAR Unique ID:	2448926
Outdoor Unit Brand Name:	BLUERIDGE
Series Name:	BM series
Outdoor Unit Model Number:	BMY48UC
Indoor Unit Model Number:	BM48MFCC
Indoor Unit Brand Name:	BLUERIDGE
SEER2 (Btu/Wh):	18.9
Product Type:	HP - Mini or Multi Split
EER2 (Btu/Wh):	9.3
HSPF2 (Btu/Wh):	10.0
COP at 5°F:	1.85
Cooling Capacity (Btu/h):	48000
Heating Capacity at 47°F (Btu/h):	50000
Heating Capacity at 5°F (Btu/h):	35000
Cold Climate:	Yes
Connected Capable:	No
Meets Peak Cooling Requirements:	No
Tax Credit Eligible:	No
Refrigerant with GWP:	R-410A (GWP:2088)
ENERGY STAR Most Efficient:	Yes

Captured On:
01/30/2024